

1 FLOOR PLAN
A3.1
1/8" = 1'-0"

ROOM FINISH SCHEDULE

ROOM NAME	NO.	FLOOR	BASE	WALLS				CEILING	PAINT	REMARKS
				NORTH	EAST	SOUTH	WEST			
VESTIBULE	100	S.C.	-	GYP. BD.	GYP. BD.	AL FR 4 GLS	GYP. BD.	-	YES	NO
PREP	101	S.C.	-	GYP. BD.	GYP. BD.	GYP. BD.	GYP. BD./ OPEN	-	YES	NO
DINING	102	S.C.	-	GYP. BD.	OPEN/GYP. BD.	GYP. BD.	GYP. BD.	-	YES	NO
CORRIDOR	103	S.C.	VNTL	OPEN	GYP. BD.	GYP. BD.	GYP. BD.	-	YES	NO
TRASH ENC.	104	CONC.	-	BRICK	BRICK	BRICK	BRICK	-	-	-
STAIR	A	WOOD	VNTL	GYP. BD.	GYP. BD.	OPEN	GYP. BD.	-	YES	NO

ROOM FINISH SCHEDULE NOTES:
1.

DOOR SCHEDULE

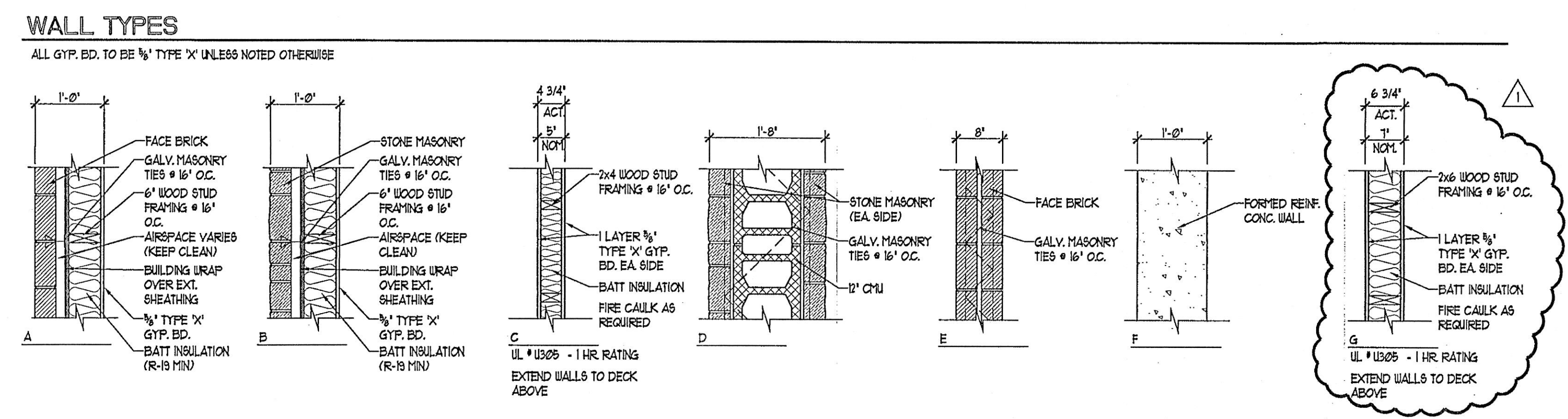
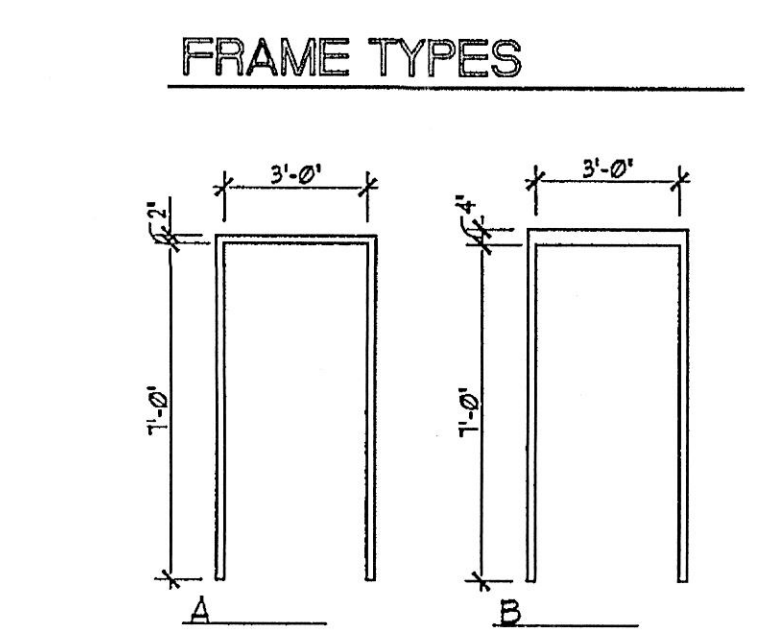
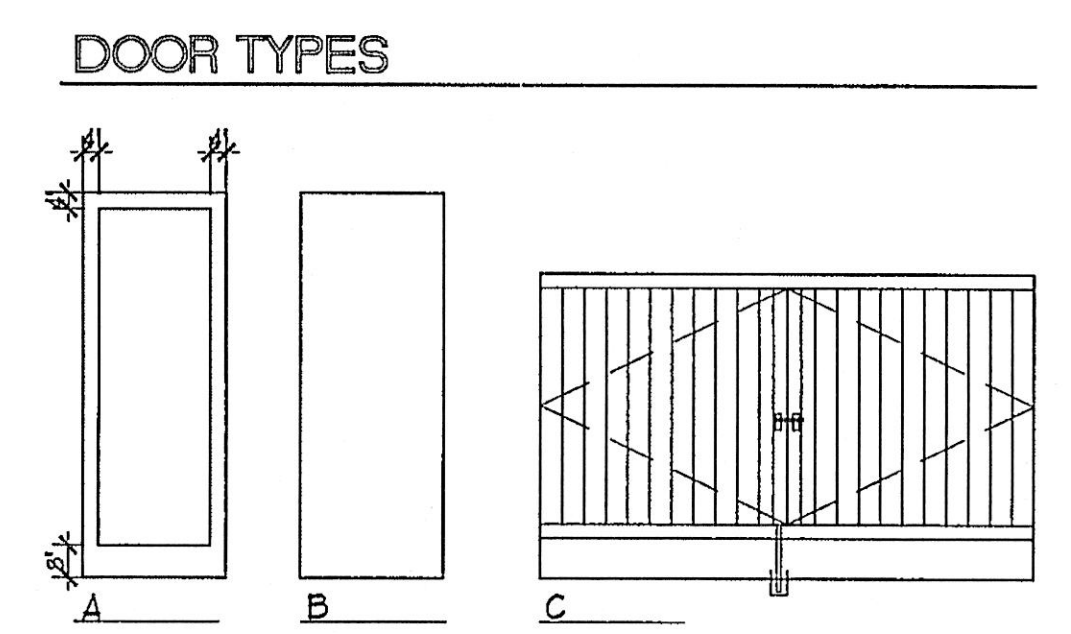
NO.	SIZE	MATERIAL		TYPE		HOW SET	REMARKS
		DOOR	FRAME	DOOR	FRAME		
100	FR 3'-0" x 8'-0"	AL	AL	A	B/A4J	SET 1	
100A	3'-0" x 8'-0"	AL	AL	A	B/A4J	SET 2	
102	FR 3'-0" x 1'-0"	AL	AL	A	3/A4J	SET 3	
102A	FR 3'-0" x 1'-0"	AL	AL	A	3/A4J	SET 3	
102B	FR 3'-0" x 1'-0"	AL	AL	A	3/A4J	SET 3	
102C	FR 3'-0" x 1'-0"	AL	AL	A	4/A4J	SET 3	
102D	FR 3'-0" x 1'-0"	AL	AL	A	4/A4J	SET 3	
102E	3'-0" x 1'-0"	HM	HM	B	B	SET 4	
103	3'-0" x 1'-0"	HM	HM	B	A	SET 5	NOTE 3
103A	3'-0" x 1'-0"	HM	HM	B	A	SET 5	NOTE 3
103B	3'-0" x 1'-0"	HM	HM	B	B	SET 6	
104	FR 4'-0" x 6'-0"	WOOD	STEEL	C	-	SET 1	
105	7'-0" x 3'-0"	-	-	-	-	-	NOTE 23

DOOR SCHEDULE NOTES:
1. 20 MIN RATED DOOR, FRAME, & HARDWARE
2. CONFIRM DOOR SIZE AND MATERIALS WITH CUMBERLAND MANUFACTURER
3. 1 HOUR RATED DOOR, FRAME, & HARDWARE

HARDWARE SETS

SET 1	SET 2	SET 3	SET 4
2 CONT. HINGES 2 OFFSET PULLS 2 CLOSERS 2 PANIC DEVICES 1 THROUGH BOLT THRESHOLD WEATHERSTRIPPING	2 CONT. HINGES 2 OFFSET PULLS 2 PANIC DEVICES 2 CLOSERS	3 CONT. HINGES 2 OFFSET PULLS 2 FRENCH DOOR HARDWARE 2 FLOOR BOLTS THRESHOLD WEATHERSTRIPPING	3 HINGES 1 PANIC DEVICE 1 CLOSER THRESHOLD WEATHERSTRIPPING
SET 5	SET 6	SET 7	
3 HINGES 1 PANIC DEVICE 1 CLOSER	3 HINGES 1 PANIC DEVICE 1 CLOSER THRESHOLD WEATHERSTRIPPING	2 STEEL GATE HINGES 1 GALV. LATCH PIN 1 THROUGH BOLT	

HARDWARE NOTES:
1. VERIFY HARDWARE FUNCTIONS WITH OWNER.
2. ALL LOCKSETS AND KEYED LOCKS TO BE KEYED TO THE BLDG'S MASTER KEYING SYSTEM.
3. LATCHSETS TO BE SCHLAGE 'D' SERIES.
4. ALL LATCHSETS TO BE ADA COMPLIANT.
5. DOOR HARDWARE SHALL BE CAPABLE OF OPERATION WITH THE USE OF ONE (1) HAND AND SHALL NOT REQUIRE TIGHT PINCHING, TIGHT GRASPING OR TUBING OF THE WRIST TO OPERATE. HANDSURN DEADBOLTS ARE PROHIBITED. LEVER OR PADDLE DEADBOLT RELEASES ARE ACCEPTABLE.
6. DOOR THRESHOLD SHALL NOT EXCEED ONE-HALF INCH (1/2") IN HEIGHT, THRESHOLDS EXCEEDING ONE QUARTER INCH (1/4") IN HEIGHT SHALL HAVE A 12 BEVEL.
7. DOOR CLOSERS SHALL MEET OPENING FORCE AND SLEEP PERIOD REQUIREMENTS.
8. ALL HARDWARE TO BE SATIN CHROME FINISH OR PER OWNER.



PARTNERS IN DESIGN ARCHITECTS
 AL & JOES DELI Congress Station, Crystal Lake, Illinois
 FLOOR PLAN, SCHEDULES AND DETAILS
 PROJECT NO.: 47906025
 DRAWN BY: JWH CHECKED BY: WHB
 DATE: 03.01.01
 SHEET NO.: A3.1
 TPO Lake Cook Road, Suite 100, Deerfield, Illinois 60015
 PH: (847) 946-0700 FAX: (847) 946-0905